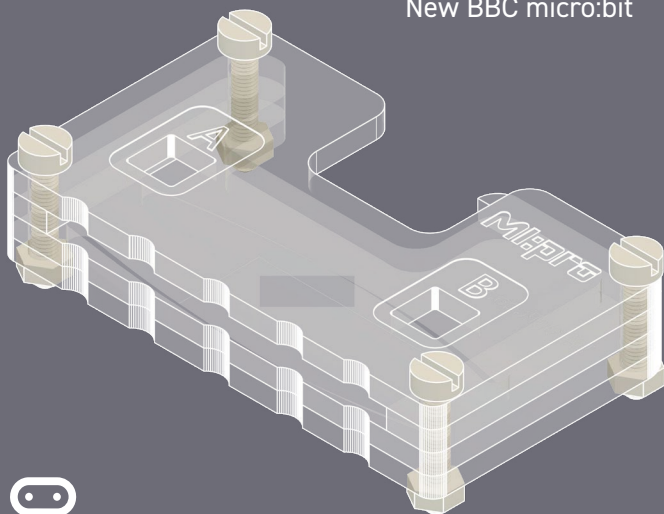


Kitronik

WE'VE GOT YOU COVERED WITH THE

MI:PRO

Protective case for the
New BBC micro:bit



Works with
micro:bit

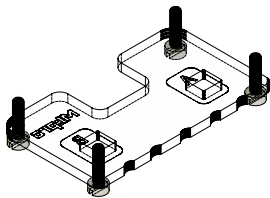
V1 & V2

V1.0

BUILD INSTRUCTIONS

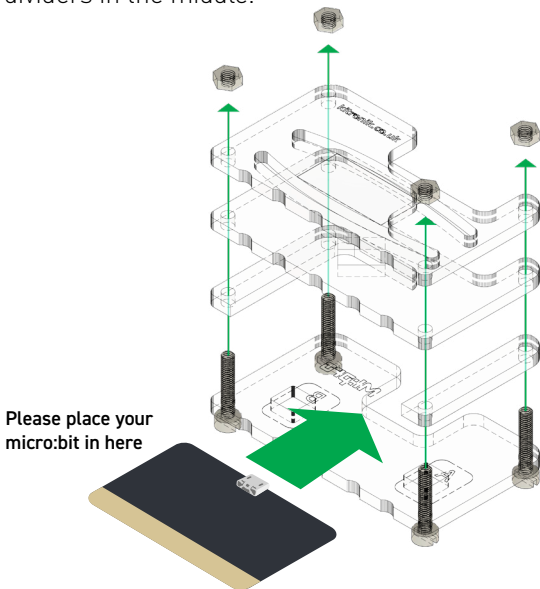
1

Push Large Screws through the front panel and lay flat with text facing down.



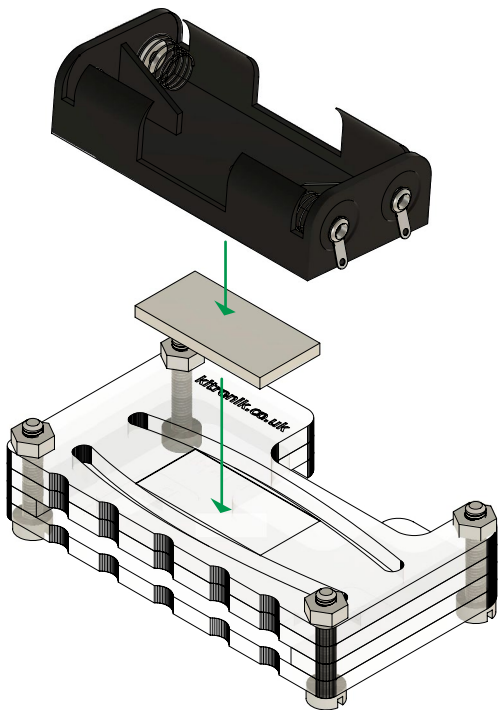
2

Stack each layer as shown onto the screws, then tighten the nuts. The micro:bit will sit, display towards the front panel, between the dividers in the middle.



3

Attach battery pack onto the back panel, using the provided sticky pad. The wires will thread neatly through the curved channels, and the sticky pad fits between them.



*battery pack not included



TOOLS REQUIRED

- Flat Head Screwdriver

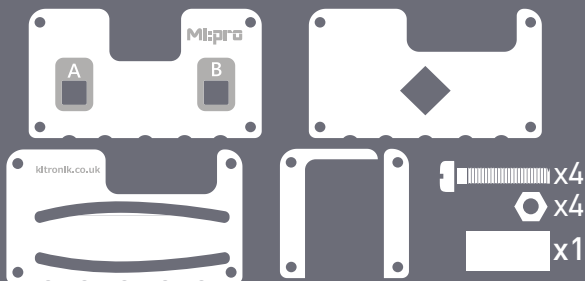


STOCK CODE

56102



CONTENTS



! WARNING: May inspire creativity

T: +44 (0) 115 970 4243

W: www.kitronik.co.uk

E: support@kitronik.co.uk



Designed & manufactured
in the UK by Kitronik



[kitronik.co.uk/twitter](https://twitter.com/kitronik)



[kitronik.co.uk/facebook](https://www.facebook.com/kitronik)



[kitronik.co.uk/youtube](https://www.youtube.com/kitronik)



[kitronik.co.uk/instagram](https://www.instagram.com/kitronik)



For more information on RoHS and CE please visit kitronik.co.uk/rohs-ce. Children assembling this product should be supervised by a competent adult. The product contains small parts so should be kept out of reach of children under 3 years old.