

AMTRON[®] STANDARD E

WALLBOX FOR ELECTRIC VEHICLES



MENNEKES AMTRON[®] designed for private and semi-public use

Variants

Key switch

LED status display
Reset function button

Standard E

Charging socket type 2 with hinged lid

Order no.

3,7 / 7,4 kW *
11 / 22 kW *

1358400
1358401



Charging socket with shutter (version „T2S“)

Order no.

3,7 / 7,4 kW *
11 / 22 kW *

1358600
1358601



7,5 meter permanently connected charging cable with connector type 2 (version „C2“)

Order no.

7,4 kW
22 kW

1358203
1358202



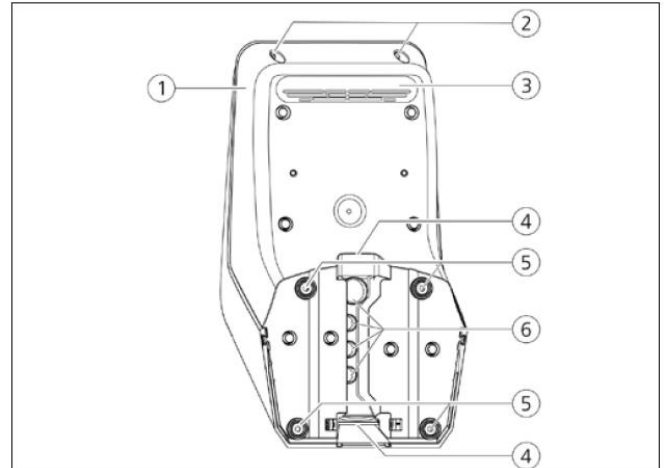
*If AMTRON is configured to more than 20A via the dip switches, all charging cables with less than $\leq 20A$ are rejected, which means that charging cannot be carried out. In this state only 32A cables are accepted.

Product features

- Overall
 - Charging acc. Mode 3 (IEC 61851)
 - Vehicle connectors and charging socket acc. IEC 62196
 - Charging capacity up to 22kW
 - Status information through LED info bar
 - Unlocking function in case of power failure (only for devices with charging socket type 2)
 - Integrated cable suspension
- Authorisation by key switch
- Reset function
- Enclosure
 - Enclosure made of AMELAN®

Assembly

Front view

Rear view


1. Reset button
2. LED Info bar
3. Fastening screws für upper housing part
4. Upper enclosure section
5. Inspection window for energy meter¹⁾
6. Front panel
7. Key switch
8. Charging socket type 2 with hinged lid ²⁾
9. Pre-cut recess for supply cable /cable duct

¹⁾ not for Standard E variants

²⁾ depending on the variant

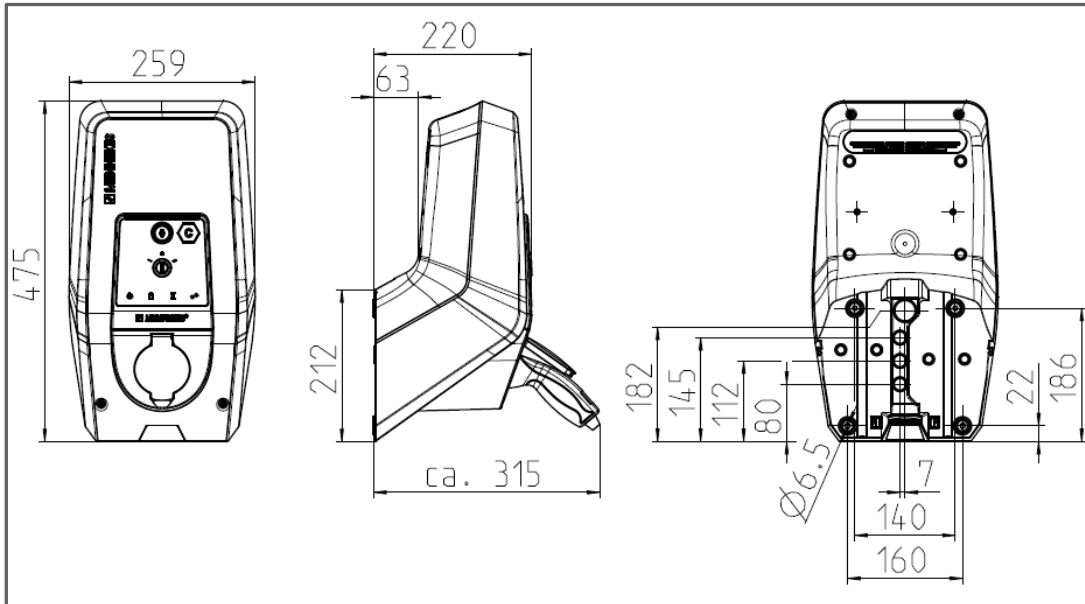
1. Lower enclosure part
2. Fastening screws for upper housing part
3. Passive ventilation
4. Recess for supply line/ cable duct
5. Fastening holes
6. Cable entries

Technical data

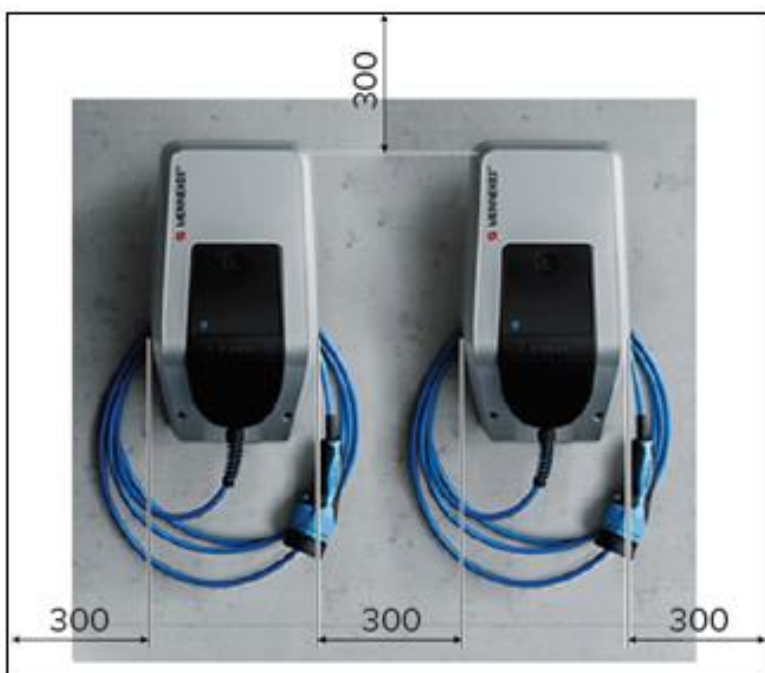
Type-dependent data		AMTRON® Standard E			
Rated voltage U_N [V] AC $\pm 10\%$		230	230	400	400
Rated frequency f_N [Hz]		50			
Rated Current I_{nA} [A]		16	32	16	32
Max. back-up fuse [A]		According to type label/ configuration			
Max. charging capacity mode 3 [kW]		3,7	7,4	11	22
Rated current of charging point mode 3 I_{nC} [A]		16 - 1 ph	32 - 1 ph	16 - 3 ph	32 - 3 ph
Terminal strip supply line	Number of terminals	3	3	5	5
	Rated cross section (mm ²)	rigid 3 x 6 flexible 3 x 4	rigid 3 x 10 flexible 3 x 6	rigid 5 x 6 flexible 5 x 4	rigid 5 x 10 flexible 5 x 6
	Tightening torque (Nm)	max. 0,8	max. 1,8	max. 0,8	max. 1,8
Rated insulation voltage U_i [V]		500			
Rated impulse withstand voltage U_{imp} [kV]		4			
Rated short circuit current I_{cc} [kA]		10			
Rated diversity factor RDF		1			
Earth system		TN / TT			
EMC classification		A+B			
Protection class		II			
Degree of protection		IP 44: Permanently attached charging cable IP 54: Charging socket type 2 with hinged lid			
Overvoltage category		III			
Resistance to mechanical impact		IK 10			
Pollution degree		3			
Setting up		Indoor or outdoor			
Condition of installation		Stationary equipment			
Usage		AEVCS			
Mounting method		Wall mounted			
Dimensions H x W x D [mm]		475 x 259 x 220			
Weight [kg]		5 - 8,5			
Control fuse (MCB)		6A, 2p, characteristic B			
Load contactor		32A, 4p	16A, 4p	32A, 4p	
Standard		DIN EN 61851-1, DIN IEC / TS 61439-7			

Environmental conditions	
Ambient air temperature	-25...+40 °C
Average temperature within 24 hours	< 35 °C
Altitude	Max. 2000m above sea level
Relative humidity	Max. 95 % (non-condensing)

Dimensions [mm]



Mounting distance [mm]



MENNEKES

Elektrotechnik GmbH & Co. KG

Aloys-Mennekes-Straße 1
57399 KIRCHHUNDEM
GERMANY

Phone: + 49 2723 41-1

Fax: + 49 2723 41-214

info@MENNEKES.de

www.MENNEKES.com

www.chargeupyourday.com