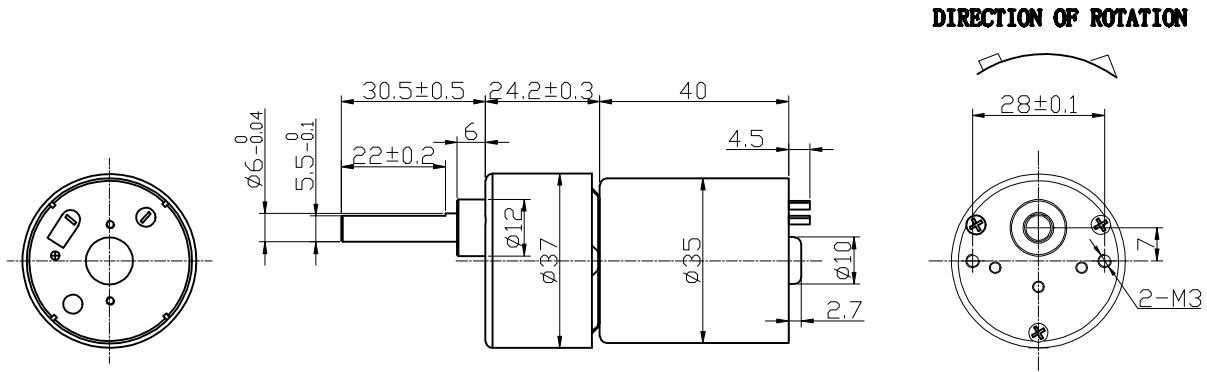


Model	739530	Voltage	12V	No.	HG-2013051001	Date	2013. 09. 26
-------	--------	---------	-----	-----	---------------	------	--------------



1.Normal operating conditions:

- 1.1 Rated voltage: 6~13.8 V
- 1.2 Ambient temperature: -10~+60°C
- 1.3 Rotate direction: CW
Positive pole connect Red "+"
Negative pole connect "-"
Facing the output shaft axis

2.Test conditions:

- 2.1 Voltage: DC 12V
- 2.2 Ambient temperature: 28°C
- 2.3 Ambient humidity: 44%RH
- 2.4 The tested sample is set level

3.Electrical features(After 30 seconds electrify)

- 3.1 No-load
 - 3.1.1 No-load speed: 150±10%rpm
 - 3.1.2 No-load current: 0.34A (0.68A max)
- 3.2 Load
 - 3.2.1 Load torque: 3.9kg.cm
 - 3.2.2 Load current: 0.91A (1.37A max)
 - 3.2.3 Load speed: 137.5±10%rpm
 - 3.2.4 Stall torque: /
 - 3.2.5 Stall current: /

4.Mechanical characteristics

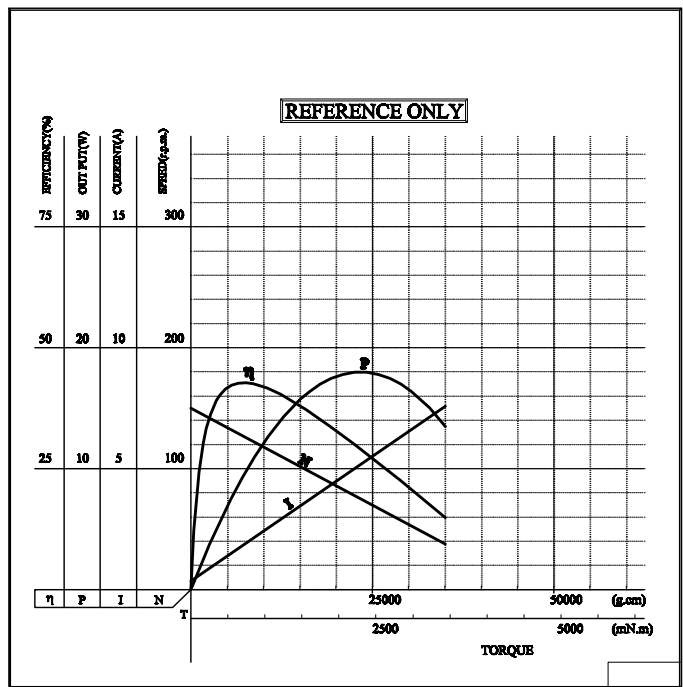
- 4.1 Axial play of shaft: ≤0.5mm

5.Motor features

- 5.1 No-load Current: 0.19A
- 5.2 No-load Speed: 11000±10%rpm

Characteristic Graph

MODEL: 739530 VOLTAGE: 12 VDC Constant
 P/C NO.: _____ DATE: 2013.9.26
 REMARKS: _____



Client confirms

Mapper	Assessor	Approved
--------	----------	----------